

Six and Twelve Cartridge Housings

STANDARD FEATURES

- ASME Code Design
- Carbon Steel Construction
- 150 psi operating pressure, 225 psi test
- O-Ring closure
- Primed exterior, oil coated interior
- Positive seal tie-rod cartridge mounting
- Swing bolt lid closure
- Four types of cartridge media available
- Lid lifting mechanism
- 200°F Design temperature

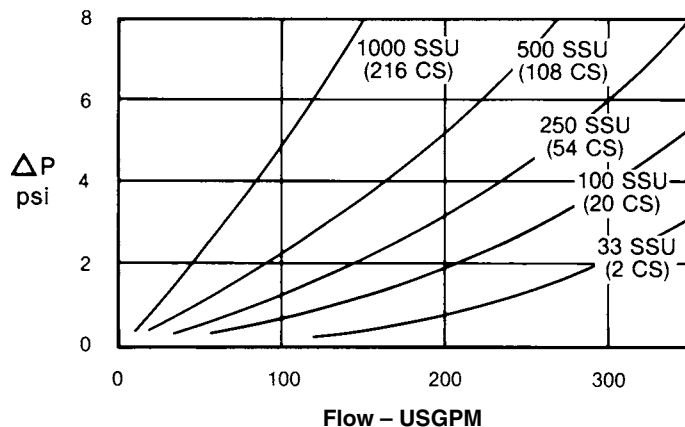
APPLICATIONS

Lube Oils	Cutting Oils	Gasoline
Gear Oil	Cooling Water	Hydraulic Oil
Coolants	Solvents	Kerosene
Quench Oil	Insulating Oil	Diesel Fuel

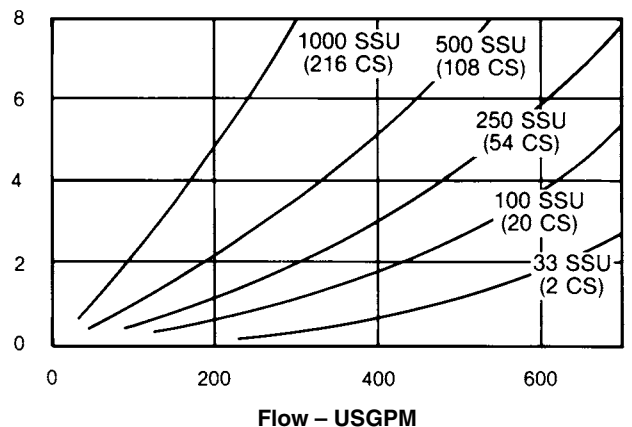


VF-2012C

PRESSURE DROP CHARACTERISTICS



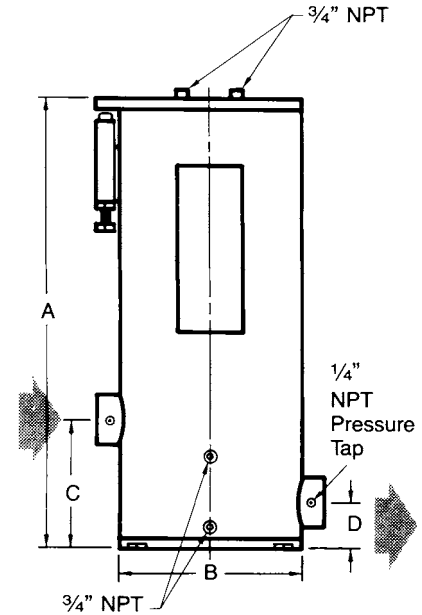
VF-166C Housing with six FO-718PL05 Cartridges



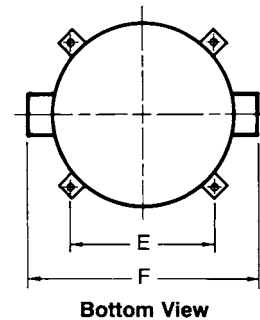
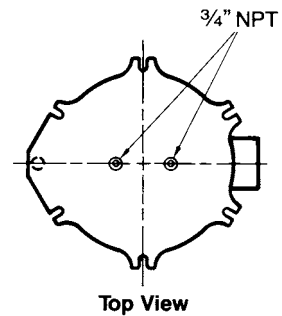
VF-2012C Housing with twelve FO-718PL05 Cartridges

DIMENSIONS

Housing	VF-166C	VF-2012C
Inlet/Outlet	3" NPT	4" NPT
A	50" (127 cm)	48¾" (124 cm)
B	16" (40.6 cm)	20" (50.8 cm)
C	11" (27.9 cm)	14" (35.6 cm)
D	4" (10.2cm)	5" (12.7 cm)
E	13" (33 cm)	16" (40.6 cm)
F	20" (50.8 cm)	25" (63.5 cm)
Volume	42 gal (159 l)	65 gal (246 l)
Vessel Weight – empty	475 lbs (216 kg)	775 lbs (352 kg)
Shipping Weight	525 lbs (238 kg)	825 lbs (374 kg)
Number of Standard Cartridges	6	12
Lid Gasket – Buna-N	G-0591	G-0768



Housing	VF166C150
	VF2012C150
	ASME Code Stamp – Specify if Required
Cartridge Types (not included with housing)	FO-718PL Series Pleated Media
	FO-618 FGA Series Fiberglass Depth Media
	LA-61801B Fullers Earth Media
	AC-718 Series Aquacon ® Water Absorbing Media Cartridge
	SD-718 Series Superdri ® dissolved water removal
cartridges Recommended	1 Set of Spare Filter Cartridges
Spares Accessories	1 Lid Gasket
	#120-H Differential Pressure Gauge
	VF166C150EPX Internal Epoxy Coating
	G-0591A (VF166C150) Viton Lid Gaskets G-0768A (VF2012C150)



Velcon products are sold and serviced by a world-wide representative network. To order, contact Headquarters or your **LOCAL REPRESENTATIVE**:

COMPANY HEADQUARTERS:
 Velcon Filters, Inc.
 1210 Garden of the Gods Road
 Colorado Springs, CO 80907-3410
 Phone: 1.800.531.0180 / 1.719.531.5855
 Fax: 719.531.5690
 e-mail: vfsales@velcon.com
 www.velcon.com

MANUFACTURING PLANTS LOCATED AT:
 Colorado Springs, Colorado
 Sylacauga, Alabama

OVERSEAS AFFILIATES:
 Frankfurt/M., Germany & Singapore

**Liquid Filtration
 and Separation
 Specialists**